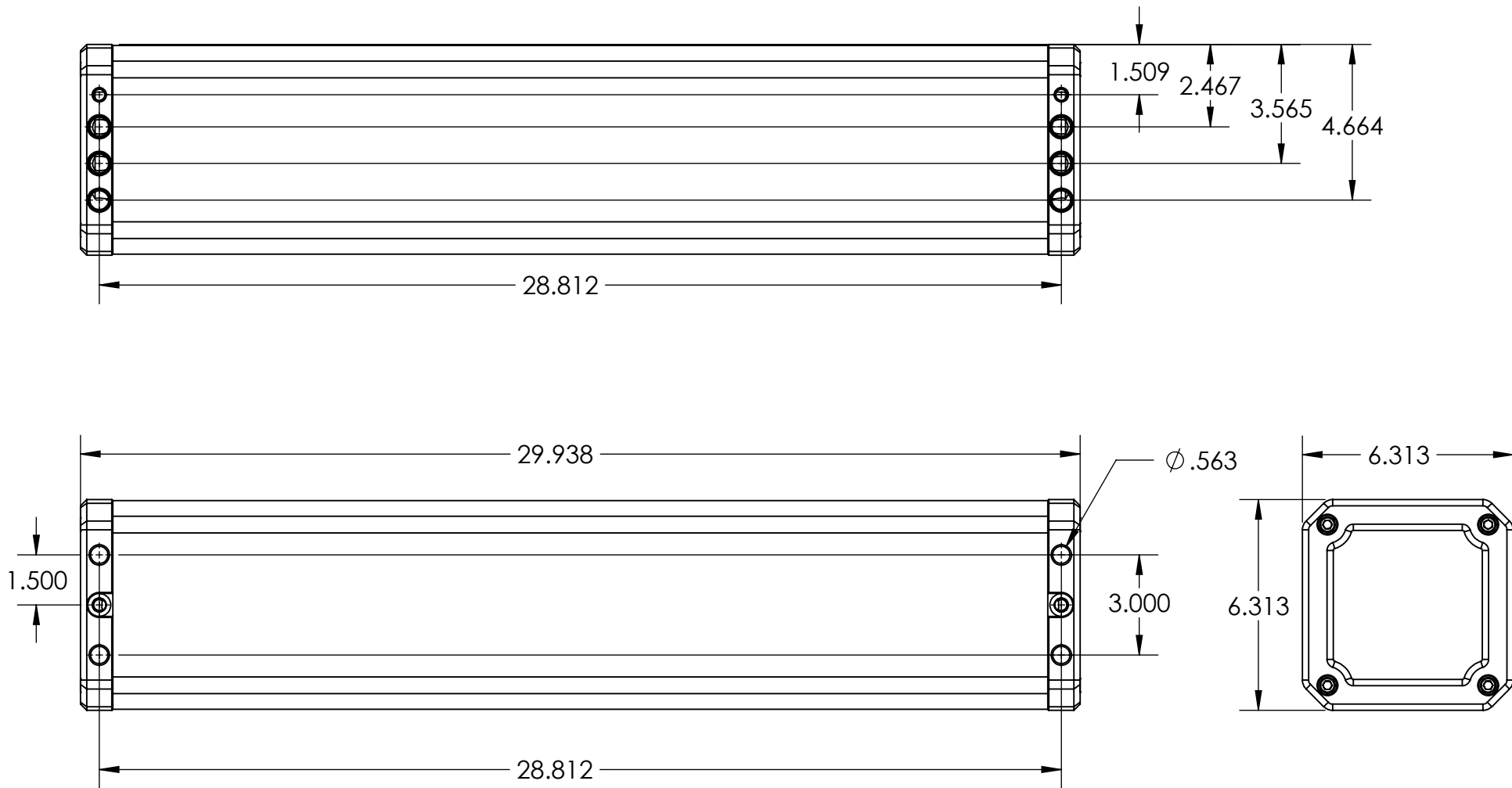


DWG. NO. |

SQUARE TANK-20 INCH



DWG. NO. |

SQUARE TANK-30 INCH